

# GIGA-LAN

Smartere datakabling fra ende til anden

## RJ45 S-FTP slim patch kabel KAT 6A 5m hvid LSZH kappe



### Anvendelse

Anvendes som patch kabel fra vægdåse til netkort eller i krydsfelt fra patch panel til Switch. Små og smalle tyller sørger for aflastning samt at de passer i paneler hvor Jackene sidder tæt sammen. Et Patch Kabel i særlig høj kvalitet som er component compliant.

### Specifikation

**Kategori:** 6A S-FTP slim

**Frekvens:** 500 Mhz

**Hastighed:** 10 Gbps Ethernet

**Kappe:** LSZH

**Farve:** Hvid

**Længde:** 5m

**Diameter:** Ø 4,5mm +/- 0,15mm

**Fabrikat:** GIGA-LAN

**Component Compliant**

**Standard:** EAI/TIA 568B, ISO 11801, EN 50173-2

**Pakning:** 1 stk eller kasse a 40 stk

Vare-nr.: 148936

EANnr.: 5706683020636

# RJ45 S-FTP slim patch kabel KAT 6A 5m hvid LSZH Kappe

## Overview

Bandwidth: 500MHz  
 OD: 4.5mm  
 Conductor: 30AWG  
 Approvals: RoHS  
 Connector: 50U" gold plated RJ45 connector

## Physical Characteristics

• Cable Type – CAT6A S/FTP  
 • Connector Type(s) – RJ45  
 • Wiring Scheme – T568B  
 • Temperature Rating – -20°C to +75°C  
 • Voltage Rating – 30V

## Conductor (Qty. 4 twisted pair)

• Conductor Type – 30AWG(7/0.10mm), Stranded BC  
 • Insulation – FOPE  
 • Diameter – 0.75±0.05mm  
 • Pair Identification:  
 • Pair1=Orange, Orange-White  
 • Pair2=Blue, Blue-White  
 • Pair3=Green, Green-White  
 • Pair4=Brown, Brown-White

## Connector Type (Qty. 2)

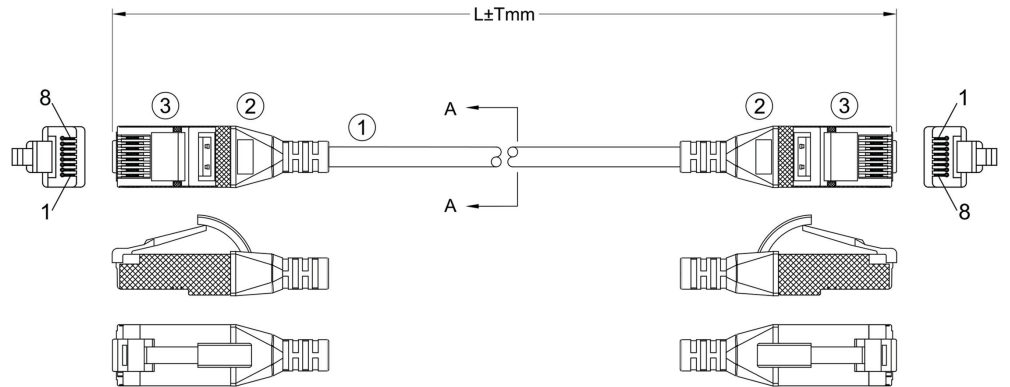
• Connector Type – Shielded 8P8C (RJ45)  
 • Gender – Male  
 • Connector Material – PC  
 • Contact Material – Copper Alloy, Gold Plating 50U"  
 • Hood Material – Assemble Boot

## Overall Cable

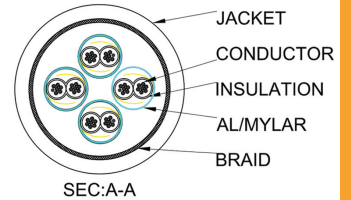
• Jacket – PVC/LSZH  
 • Minimum Average Thickness – 0.60mm  
 • Outer Diameter – 4.5 ± 0.15mm

## Electrical Characteristics

• Conductor DC Resistance – 60.1Ω/100m (maximum)  
 • Impedance – 100Ω  
 • Capacitance – 5600pf/100m  
 • Propagation Delay – 545ns/100m (maximum)  
 • Delay Skew – 45ns/100m (maximum)  
 • Fluke DSX 8000 TIA 568.2-D or ISO 11801  
 Component Level Test



P1	P2 T568B
1	1 WHITE/ORANGE
2	2 ORANGE
3	3 WHITE/GREEN
4	4 BLUE
5	5 WHITE/BLUE
6	6 GREEN
7	7 WHITE/BROWN
8	8 BROWN
S	S SHIELDED



3	RJ45 PLUG: 8P8C 50U" GOLD PLATED TWO PIECE PLUG; NICKEL-PLATED SHELL.
2	MOLDED: ASSEMBLE BOOT.
1	CABLE: CAT6A S/FTP [30AWG(7/0.10BC±0.008mm)+AL/MYLAR]*4+BRAID(16*4/0.08TC) OD=Ø4.5±0.15MM PVC/LSZH JACKET.