

# GIGA-LAN

Smartere datakabling fra ende til anden

## RJ45 S-FTP slim patch kabel KAT 6A 2m hvid LSZH kappe



### Anvendelse

Anvendes som patch kabel fra vægdåse til netkort eller i krydsfelt fra patch panel til Switch. Små og smalle tyller sørger for aflastning samt at de passer i paneler hvor Jackene sidder tæt sammen. Et Patch Kabel i særlig høj kvalitet som en component compliant.

### Specifikation

Kategori: 6A S-FTP slim

Frekvens: 500 Mhz

Hastighed: 10 Gbps Ethernet

Kappe: LSZH

Farve: Hvid

Længde: 2m

Diameter: Ø 4,5mm +/- 0,15mm

Fabrikat: GIGA-LAN

Component Compliant

Standard: EAI/TIA 568B, ISO

11801, EN 50173-2

Pakning: 1 stk eller kasse a 200 stk

Vare-nr.: 148928

EANnr.: 5706683020612

# RJ45 S-FTP slim patch kabel KAT 6A 2m hvid LSZH Kappe

## Overview

Bandwidth: 500MHz  
 OD: 4.5mm  
 Conductor: 30AWG  
 Approvals: RoHS  
 Connector: 50U" gold plated RJ45 connector

## Physical Characteristics

- Cable Type – CAT6A S/FTP
- Connector Type(s) – RJ45
- Wiring Scheme – T568B
- Temperature Rating – -20°C to +75°C
- Voltage Rating – 30V

## Conductor (Qty. 4 twisted pair)

- Conductor Type – 30AWG(7/0.10mm), Stranded BC
- Insulation – FOPE
- Diameter – 0.75±0.05mm
- Pair Identification:
  - Pair1=Orange, Orange-White
  - Pair2=Blue, Blue-White
  - Pair3=Green, Green-White
  - Pair4=Brown, Brown-White

## Connector Type (Qty. 2)

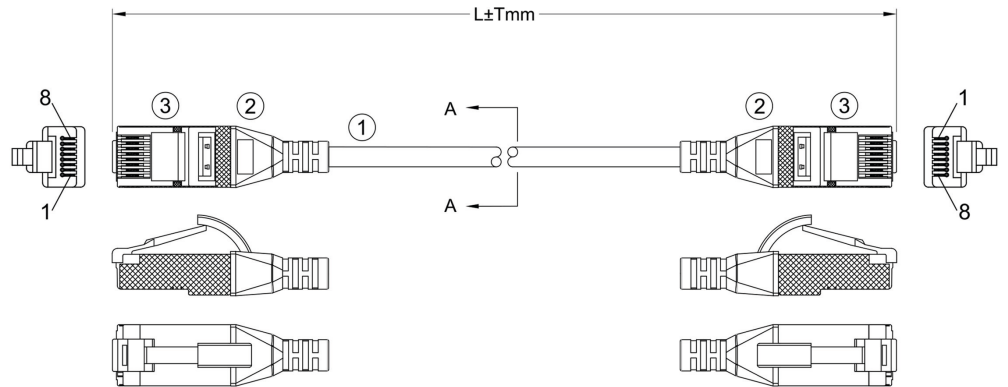
- Connector Type – Shielded 8P8C (RJ45)
- Gender – Male
- Connector Material – PC
- Contact Material – Copper Alloy, Gold Plating 50U"
- Hood Material – Assemble Boot

## Overall Cable

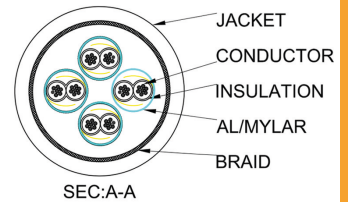
- Jacket – PVC/LSZH
- Minimum Average Thickness – 0.60mm
- Outer Diameter – 4.5 ± 0.15mm

## Electrical Characteristics

- Conductor DC Resistance – 60.1Ω/100m (maximum)
- Impedance – 100Ω
- Capacitance – 5600pf/100m
- Propagation Delay – 545ns/100m (maximum)
- Delay Skew – 45ns/100m (maximum)
- Fluke DSX 8000 TIA 568.2-D or ISO 11801 Component Level Test



P1	P2	T568B
1	—	1 WHITE/ORANGE
2	—	2 ORANGE
3	—	3 WHITE/GREEN
4	—	4 BLUE
5	—	5 WHITE/BLUE
6	—	6 GREEN
7	—	7 WHITE/BROWN
8	—	8 BROWN
S	—	S SHIELDED



3	RJ45 PLUG: 8P8C 50U" GOLD PLATED TWO PIECE PLUG; NICKEL-PLATED SHELL.
2	MOLDED: ASSEMBLE BOOT.
1	CABLE: CAT6A S/FTP [30AWG(7/0.10BC±0.008mm)+AL/MYLAR]*4+BRAID(16*4/0.08TC) OD=Ø4.5±0.15MM PVC/LSZH JACKET.