

GIGA-LAN

Smartere datakabling fra ende til anden

RJ45 S-FTP slim patch kabel KAT 6A 0,2m hvid LSZH kappe



Anvendelse

Anvendes som patch kabel fra vægdåse til netkort eller i krydsfelt fra patch panel til Switch.

Små og smalle tyller sørger for aflastning samt at de passer i paneler, hvor Jackene sidder tæt sammen.

Et patch kabel i særlig høj kvalitet som er component compliant.

Specifikation

Kategori: 6A S-FTP slim

Frekvens: 500 Mhz

Hastighed: 10 Gbps Ethernet

Kappe: LSZH

Farve: Hvid

Længde: 0,2 m

Diameter: Ø 4,5 ± 0,15mm

Fabrikant: GIGA-LAN

Component Compliant

Standard: EAI/TIA 568B, ISO

11801, EN 50173-2

Pakning: 1 stk eller kasse á 500 stk

Varenr.: 148918

EANnr.: 5706683022029

RJ45 S-FTP slim patch kabel KAT 6A 0,2m hvid LSZH Kappe

Overview

Bandwidth: 500MHz
 OD: 4.5mm
 Conductor: 30AWG
 Approvals: RoHS
 Connector: 50U" gold plated RJ45 connector

Physical Characteristics

• Cable Type – CAT6A S/FTP
 • Connector Type(s) – RJ45
 • Wiring Scheme – T568B
 • Temperature Rating – -20°C to +75°C
 • Voltage Rating – 30V

Conductor (Qty. 4 twisted pair)

• Conductor Type – 30AWG(7/0.10mm), Stranded BC
 • Insulation – FOPE
 • Diameter – 0.75±0.05mm
 • Pair Identification:
 • Pair1=Orange, Orange-White
 • Pair2=Blue, Blue-White
 • Pair3=Green, Green-White
 • Pair4=Brown, Brown-White

Connector Type (Qty. 2)

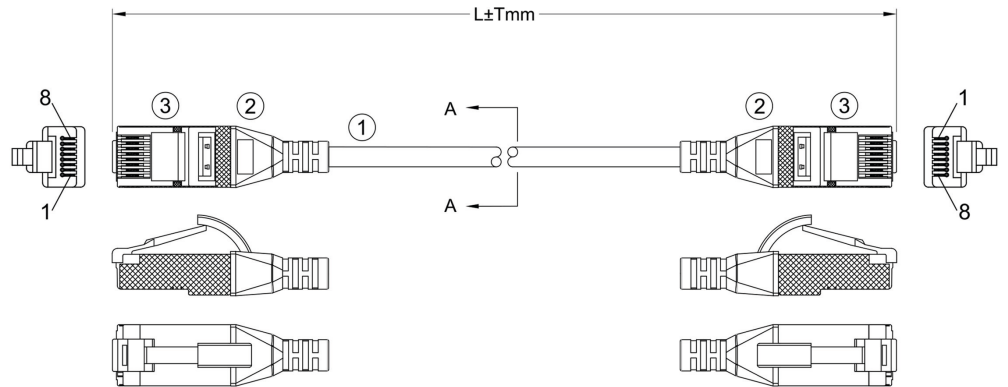
• Connector Type – Shielded 8P8C (RJ45)
 • Gender – Male
 • Connector Material – PC
 • Contact Material – Copper Alloy, Gold Plating 50U"
 • Hood Material – Assemble Boot

Overall Cable

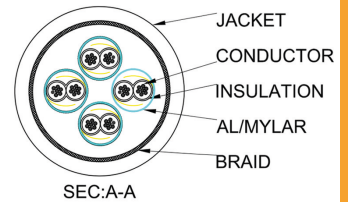
• Jacket – PVC/LSZH
 • Minimum Average Thickness – 0.60mm
 • Outer Diameter – 4.5 ± 0.15mm

Electrical Characteristics

• Conductor DC Resistance – 60.1Ω/100m (maximum)
 • Impedance – 100Ω
 • Capacitance – 5600pf/100m
 • Propagation Delay – 545ns/100m (maximum)
 • Delay Skew – 45ns/100m (maximum)
 • Fluke DSX 8000 TIA 568.2-D or ISO 11801
 Component Level Test



P1	P2 T568B
1	1 WHITE/ORANGE
2	2 ORANGE
3	3 WHITE/GREEN
4	4 BLUE
5	5 WHITE/BLUE
6	6 GREEN
7	7 WHITE/BROWN
8	8 BROWN
S	S SHIELDED



3	RJ45 PLUG: 8P8C 50U" GOLD PLATED TWO PIECE PLUG; NICKEL-PLATED SHELL.
2	MOLDED: ASSEMBLE BOOT.
1	CABLE: CAT6A S/FTP [30AWG(7/0.10BC±0.008mm)+AL/MYLAR]*4+BRAID(16*4/0.08TC) OD=Ø4.5±0.15MM PVC/LSZH JACKET.