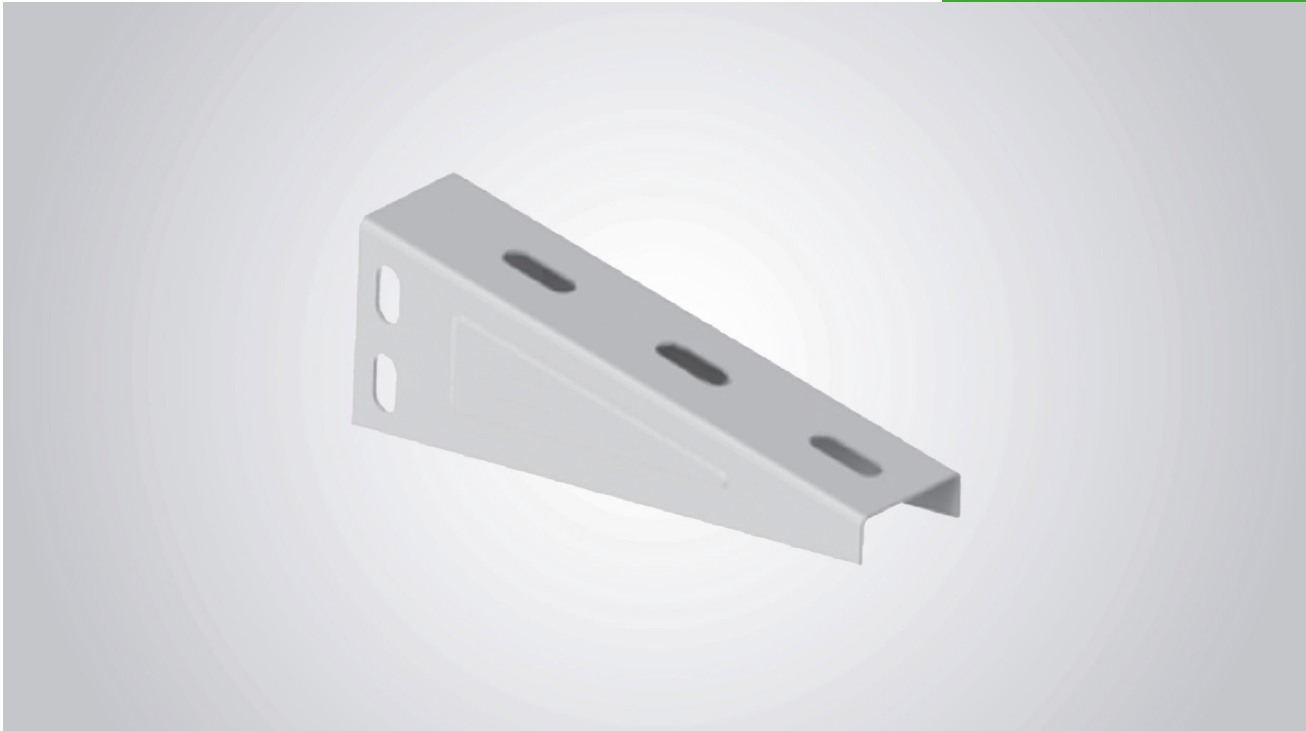


Horisontal beslag for U-profil L430 mm



Anvendelse

Anvendes stort set i alle industrier, kontorbyggeri, uddannelsesinstitutioner, hospitaler etc.

Samler kabler, ledninger samt rør og holder styr på ledningsføringen. Herved sikres kabler og ledninger for unødvendig slitage og vedholder performance.

Specifikation

Materiale: Rustfrit stål pregalvaniseret

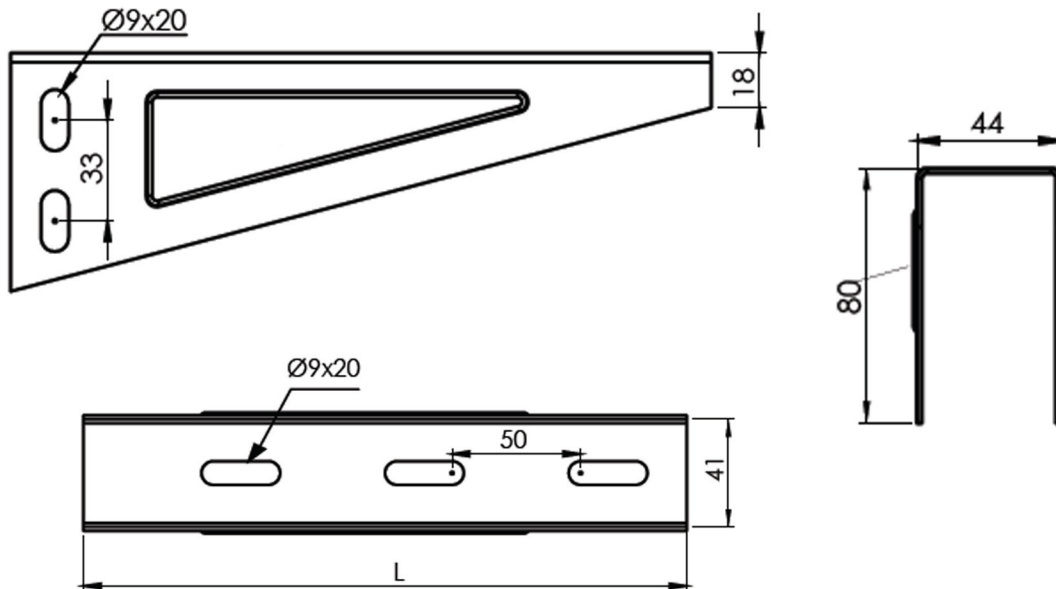
Størrelse: L430xB44xH80 mm

Tykkelse: 1,5 mm

Diameter (monterings huller): Ø9x20mm

Pakning: 1 stk

Horizontal beslag for U-profil L430 mm



CLASSIFICATION OF ENVIRONMENTS

| Corrosion category | Loss of thickness µm/year | Typical environment | |
|-------------------------------|------------------------------|---|--|
| | | Outdoor | Indoor |
| C1 Inconsiderable | >0,1 | - | Heated buildings (offices, schools, stores etc.) |
| C2 Slight | >0,1 until 0,7 | Little pollution Like rural areas | Not heated buildings with formation of condensate like store houses, coliseums |
| C3 Moderate | >0,7 until 2,1 | City and industrial environments with moderate pollution | Highly humid production plants like laundry, brewery and diary |
| C4 Strong | >2,1 until 4,2 | Industrial areas and coastlines with moderate salt impact | Chemical plants, swimming pools |
| C5-I Very strong (industrial) | >4,2 until 8,2 | Industrial environment with high humidity and aggressive atmosphere | Buildings or areas with almost permanent condensation and pollution |
| C5-M Very strong (marine) | >4,2 until 8,2 | Coastlines and offshore areas with high salt impact | Buildings or areas with almost permanent condensation and pollution |