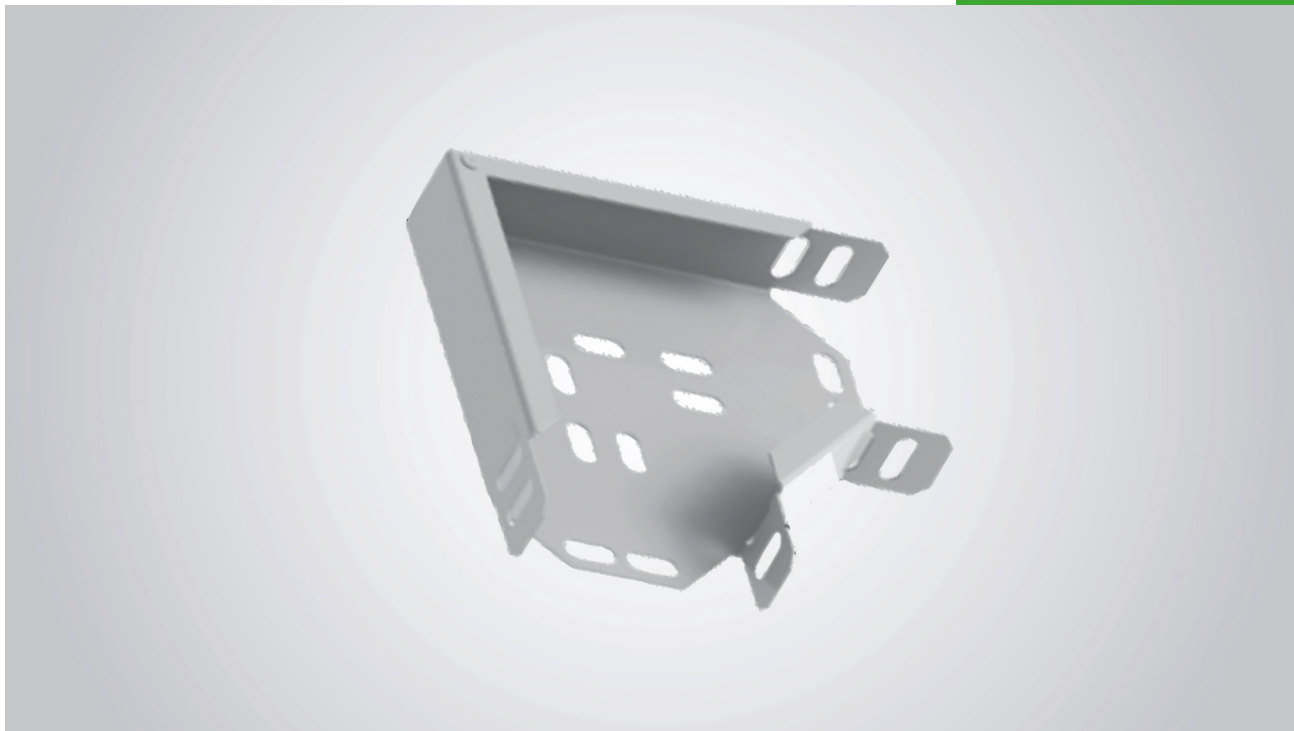


## 90°grader hjørne for perforeret kabelbakker B50xH40mm



### Anvendelse

Anvendes stort set i alle industrier, kontorbyggeri, uddannelsesinstitutioner, hospitaler etc.

Samler kabler, ledninger samt rør og holder styr på ledningsføringen. Herved sikres kabler og ledninger for unødvendig slitage og vedholder performance.

### Specifikation

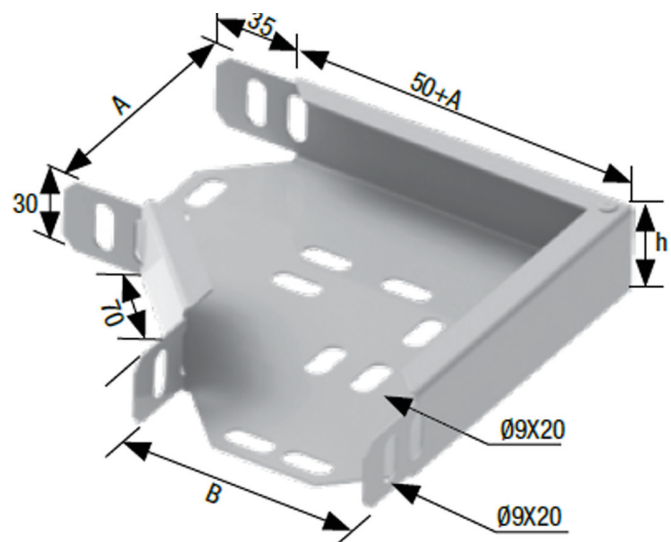
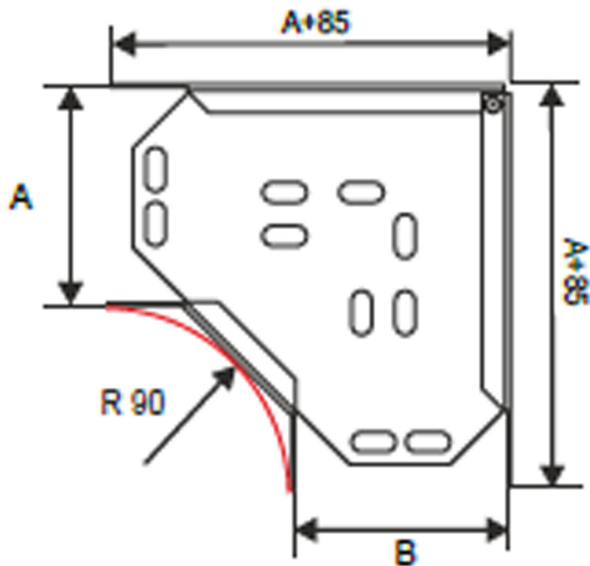
Materiale: Rustfrit stål pregalvaniseret

Størrelse: B50xH40 mm

Diameter (monterings huller): Ø9x20mm

Pakning: 1 stk

## 90°grader hjørne for perforeret kabelbakke



### CLASSIFICATION OF ENVIRONMENTS

| Corrosion category            | Loss of thickness<br>µm/year | Typical environment   |  |
|-------------------------------|------------------------------|---|--|
|                               |                              | Outdoor   | Indoor   |
| C1 inconsiderable             | >0,1                         | -   | Heated buildings (offices, schools, stores etc.)                               |
| C2 Slight                     | >0,1 until 0,7               | Little pollution Like rural areas                                   | Not heated buildings with formation of condensate like store houses, coliseums |
| C3 Moderate                   | >0,7 until 2,1               | City and industrial environments with moderate pollution            | Highly humid production plants like laundry, brewery and diary                 |
| C4 Strong                     | >2,1 until 4,2               | Industrial areas and coastlines with moderate salt impact           | Chemical plants, swimming pools  |
| C5-I Very strong (industrial) | >4,2 until 8,2               | Industrial environment with high humidity and aggressive atmosphere | Buildings or areas with almost permanent condensation and pollution            |
| C5-M Very strong (marine)     | >4,2 until 8,2               | Coastlines and offshore areas with high salt impact                 | Buildings or areas with almost permanent condensation and pollution            |