

Møtrik for samling af gitterbakker



Anvendelse

Anvendes til samling af gitterbakker.
OBS! Del af et samlesæt

Varenr.: 611217

Specifikation

Materiale: Rustfrit stål

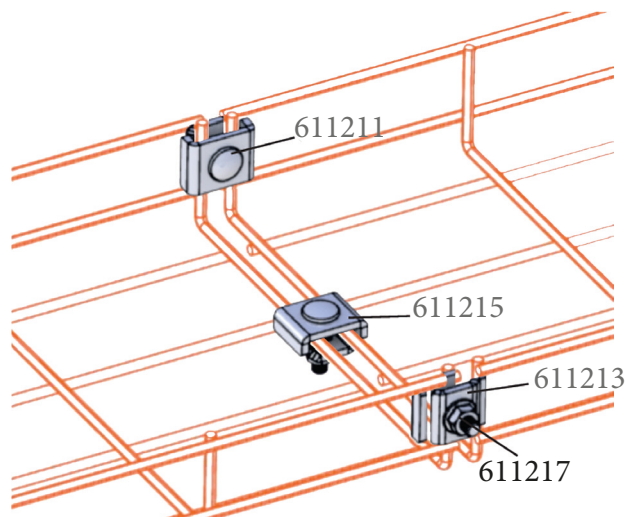
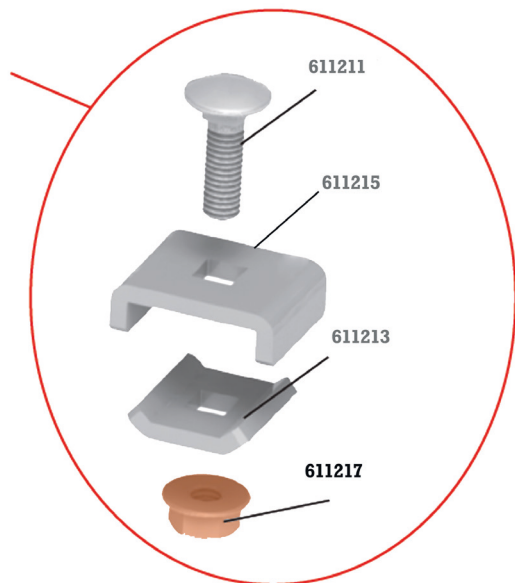
Diameter: 8mm

Pakning: 1 stk

Møtrik for samling af gitterbakker

Samlet skruesæt til samling af gitterbakker.
Består af følgende varenumre;

611211
611213
611215
611217



CLASSIFICATION OF ENVIRONMENTS

Corrosion category	Loss of thickness µm/year	Typical environment	
		Outdoor	Indoor
C1 inconsiderable	>0,1	-	Heated buildings (offices, schools, stores etc.)
C2 Slight	>0,1 until 0,7	Little pollution Like rural areas	Not heated buildings with formation of condensate like store houses, coliseums
C3 Moderate	>0,7 until 2,1	City and industrial environments with moderate pollution	Highly humid production plants like laundry, brewery and diary
C4 Strong	>2,1 until 4,2	Industrial areas and coastlines with moderate salt impact	Chemical plants, swimming pools
C5-I Very strong (industrial)	>4,2 until 8,2	Industrial environment with high humidity and aggressive atmosphere	Buildings or areas with almost permanent condensation and pollution
C5-M Very strong (marine)	>4,2 until 8,2	Coastlines and offshore areas with high salt impact	Buildings or areas with almost permanent condensation and pollution