

19" IP65 skab H1068xB600xD650mm 20HE med sokkel



Anvendelse

Anvendes til udendørs installationer for fiber, tele og data.
Skabet står på sokkel, har dobbelt lag struktur, isoleringsmateriale mellem udvendige og indvendige lag og behandlet med RAL7035 polyester udendørs maling.

Specifikation

Materiale: Pre-galvaniseret stål AISI 304

Farve: RAL 7035 (lysegrå) polyester
udendørs maling

IP: IP65

HE: 20HE

Størrelse: H1068xB600xD650 mm

Sokkel: 200mm

Varenr.: 242825

EANr.: 5706683027000

19" IP65 Outdoor Cabinet

Width: 600 mm
Depth: 650 mm

Construction details:

Front side has inner door, which is lockable provides additional security and additional protection especially for dust entry once main door is not locked.

The cabinet can be equipped with mechanical or magnet door sensors on demand.

The inner skin has wingnut installed (can be opened by hand no tools required) ventilation channel and replaceable filter location.

Bottom case has multiple access with 2xPG21, 1xPG48 integrated cable entry pats, 2 pcs 28 mm diameter PVC Blind cap. As an option can be replaced with PG21 cable entry pats. After insertion of the cables to the enclosure, recommended to close the openings with foam or isolation material. In addition all IP65 cabinets are delivered with a plain metal cable entry panel which means if shipping configuration cable entry pats are not suitable for your project any punching can be done on the spare cable entry plain panel.

The cabinet is equipped with hinged canopy roof which also has a hinged mechanism keeps canopy open during installation and maintenance period. The canopy is gasketed for EN 60529 protection purposes for the fan module allowing

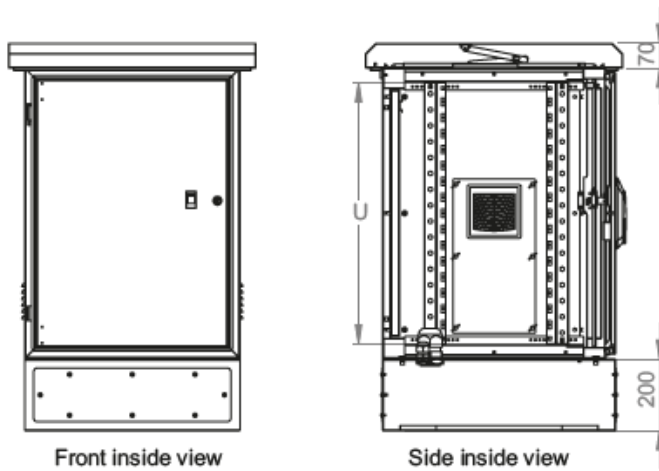
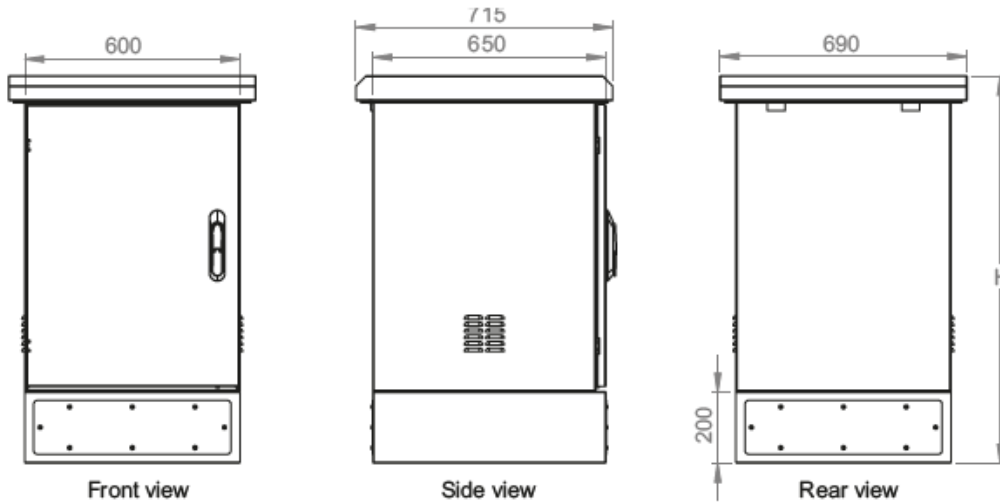
Fans to discharge the hot air from enclosure via hidden ventilation louvers while still providing EN 60529 IP65 protection to the enclosure Front and rear side of the plinth has a screwed metal panel allowing access during installation and maintenance to plinth concrete basement fixings and access to routed cables to the cabinet.



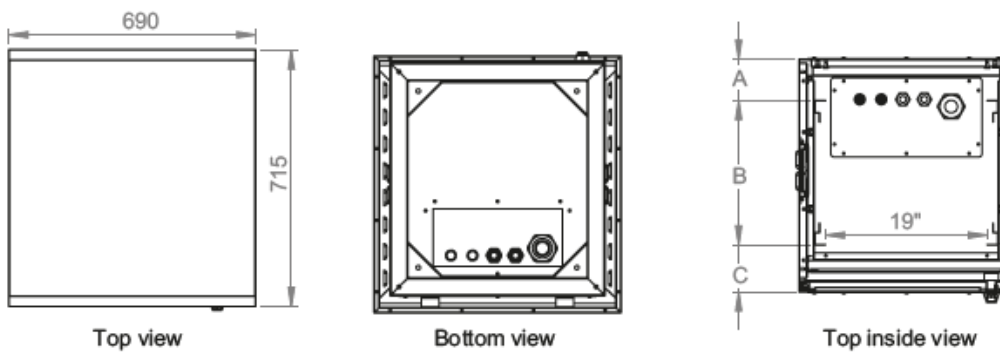
19" IP65 Outdoor Cabinet

Width: 600 mm
Depth: 650 mm

Construction Drawings



U	H
9U	769 mm
12U	902 mm
16U	1080 mm
20U	1258 mm
22U	1302 mm
24U	1434 mm
26U	1524 mm

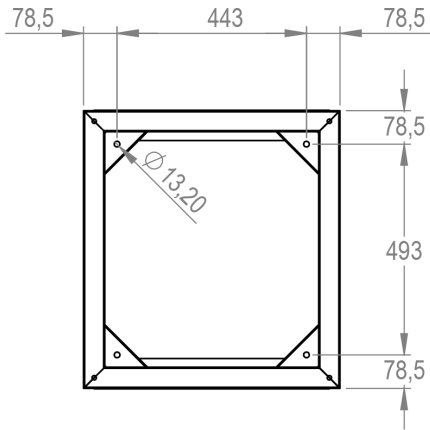


	Min	Max
A	20 mm	145 mm
B	240 mm	490 mm
C	40 mm	165 mm

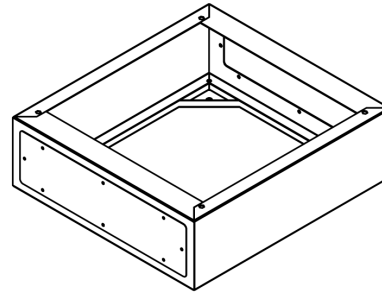
LANRACK

19" IP65 Outdoor Cabinet

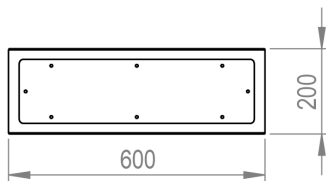
Construction Drawings of PLINTH 200 mm



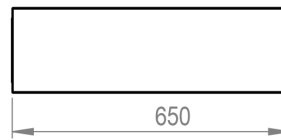
BOTTOM VIEW



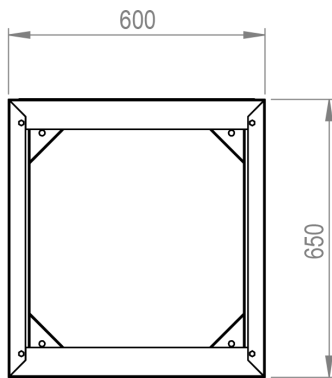
ISOMETRIC VIEW



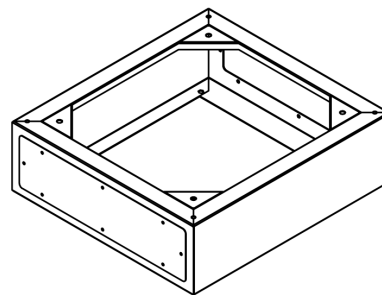
FRONT VIEW



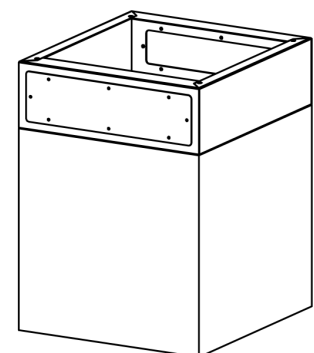
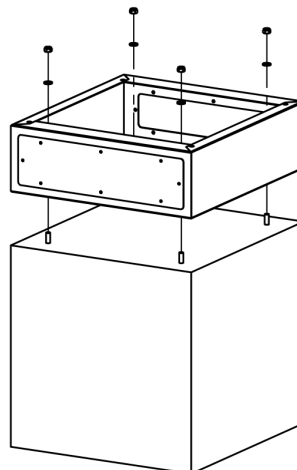
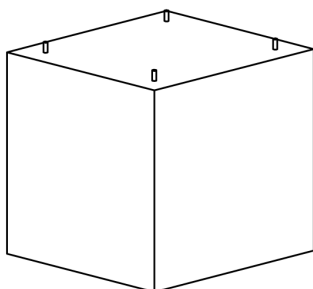
SIDE VIEW



TOP VIEW



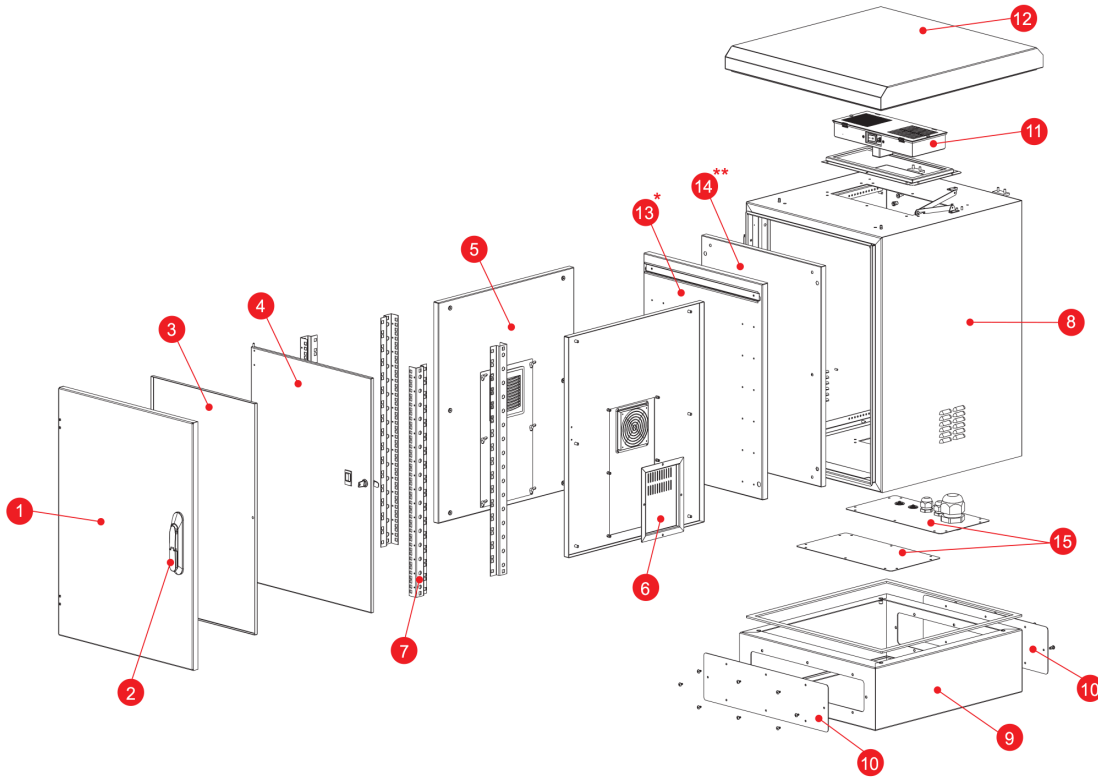
ISOMETRIC VIEW



19" IP65 Outdoor Cabinet

Width: 600 mm
Depth: 650 mm

Construction Drawings



NO	DEFINITION	QTY	ZN	AISI 430	AISI 304	AISI 316L	t:mm THICKNESS (mm)
			MATERIAL ZN 275 gr/m ²	Material AISI 430 Grade Stainless steel	Material AISI 304 Grade Stainless steel	Material AISI 316L Grade Stainless steel	
1	FRONT DOOR EXTERNAL SKIN	1	DX51 D + Z275gr/m ²	AISI 430 Grade Stainless Steel	AISI 304 Grade Stainless Steel	AISI 316L Grade Stainless Steel	2
2	LOCKING SYSTEM 3 POINT WK2 Antivandalism Certified *** 9U height has single point lock.	1	ABS Fixing Points-Galvanized Mild Steel Locking Rods	ABS Fixing Points-Galvanized Mild Steel Locking Rods	ABS Fixing Points-Galvanized Mild Steel Locking Rods	ABS Fixing Points-Galvanized Mild Steel Locking Rods	-
3	FRONT DOOR INNER SKIN	1	DX51 D + Z275gr/m ²	AISI 430 Grade Stainless Steel	AISI 304 Grade Stainless Steel	AISI 316L Grade Stainless Steel	1
4	INTERNAL COVER / DOOR	1	DX51 D + Z275gr/m ²	AISI 430 Grade Stainless Steel	AISI 304 Grade Stainless Steel	AISI 316L Grade Stainless Steel	1,5
5	SIDE INNER SKIN	2	DX51 D + Z275gr/m ²	AISI 430 Grade Stainless Steel	AISI 304 Grade Stainless Steel	AISI 316L Grade Stainless Steel	1
6	VENTILATION CHANNEL	2	DX51 D + Z275gr/m ²	AISI 430 Grade Stainless Steel	AISI 304 Grade Stainless Steel	AISI 316L Grade Stainless Steel	1
7	MOUNTING RAILS 19"	4	DC01-6112 Zinc Plated	AISI 430 Grade Stainless Steel	AISI 304 Grade Stainless Steel	AISI 316L Grade Stainless Steel	1,5
8	MAIN BODY WELDED	1	DX51 D + Z275gr/m ²	AISI 430 Grade Stainless Steel	AISI 304 Grade Stainless Steel	AISI 316L Grade Stainless Steel	2
9	PLINTH H200 mm	1	DX51 D + Z275gr/m ²	AISI 430 Grade Stainless Steel	AISI 304 Grade Stainless Steel	AISI 316L Grade Stainless Steel	2
10	PLINTH ACCESS WINDOW	1	DX51 D + Z275gr/m ²	AISI 430 Grade Stainless Steel	AISI 304 Grade Stainless Steel	AISI 316L Grade Stainless Steel	1,5
11	FAN UNIT HOUSING	1	DC01-6112 Standard Painted	DC01-6112 Standard Painted	DC01-6112 Standard Painted	DC01-6112 Standard Painted	1
12	ROOF CANOPY- 2 INCLINED INNER FIXING SCREWS- 2 HINGES and CANOPY STOPPER MECHANISM	1	DX51 D + Z275gr/m ²	AISI 430 Grade Stainless Steel	AISI 304 Grade Stainless Steel	AISI 316L Grade Stainless Steel	1,5
13	*REAR MOUNTING PLATE with DIN RAIL	1	DX51 D + Z275gr/m ²	AISI 430 Grade Stainless Steel	AISI 304 Grade Stainless Steel	AISI 316L Grade Stainless Steel	1,5
14	** REAR INNER SKIN	1	DX51 D + Z275gr/m ²	AISI 430 Grade Stainless Steel	AISI 304 Grade Stainless Steel	AISI 316L Grade Stainless Steel	1
15	GLAND PLATE WITH PG GLANDS	1	DX51 D + Z275gr/m ²	AISI 430 Grade Stainless Steel	AISI 304 Grade Stainless Steel	AISI 316L Grade Stainless Steel	1,5
	GLAND PLATE PLAIN	1					

* The cabinet has a mounting plate equipped with a factory installed DIN rail, position of DIN rail can be changed.

The mounting plate can be installed outside and finally can be mounted on the cabinet after testings are completed, this would ease your installation works.

** The cabinet has also a rear inner skin which can be used as a mounting plate, in case you will install the components on the mounting plate inside rack, that moment you can use our inner skin as a mounting plate. This would give extra 20 mm depth clearance inside cabinet for you.

A304 means Material is stainless steel grade AISI 304 (1.4301) (Long Life corrosion warranty up to 3-5 years.)

Standards and Compliances:



ISO 9001
Quality Management System

EN 61587-1
Mechanical Structures for
Electronic Equipment

EN IEC 297-1, 19" Mounting
EN IEC 297-2 Overall Cabinet
Dimensions

EN/IEC 60529- IP65 Ingress Protection
performance

EN/IEC 62262- IK10 Mechanical Impact
Resistance

EIA/ ECA-310 (D/E) 19" 482,6 mm
and U 44,45 mm Height Sizing



CE conform to
EN 60950-1
Information Technology
Equipment, Safety,
Part-1: General Requirement

EN IEC 62368-1 Audio/Video, Information
and Communication Technology
Equipment
Part 1: Safety requirements



UL listed to
UL 2416, Outline of Investigation for
Audio/Video, Information and
Communication Technology Equipment
Cabinet, Enclosure and Rack
Systems; UL 60950-1 and CSA C22.2
NO. 60950-1-07, Information Technology
Equipment Safety
Part 1: General Requirements



Environment Friendly;
ISO 14001 Environmental
Management System
RoHS compliancy
%100 Recyclable Material