

LAN-RACK

19" vægskab 20HE H1010xB600xD800mm
PD sort LRW ekstra dybde



Anvendelse

19" vægskab for data installationer. Gedigent design med 19" opspænding for og bag. Aftagelige/aflåselige sideplader. Gæller for udluftninger i top og bund. Mulighed for montage af op til 2 stk. ventilatorer. Aftagelig dør, som kan højre og venstre vendes. Specielt velegnet til ekstra dybe swiche

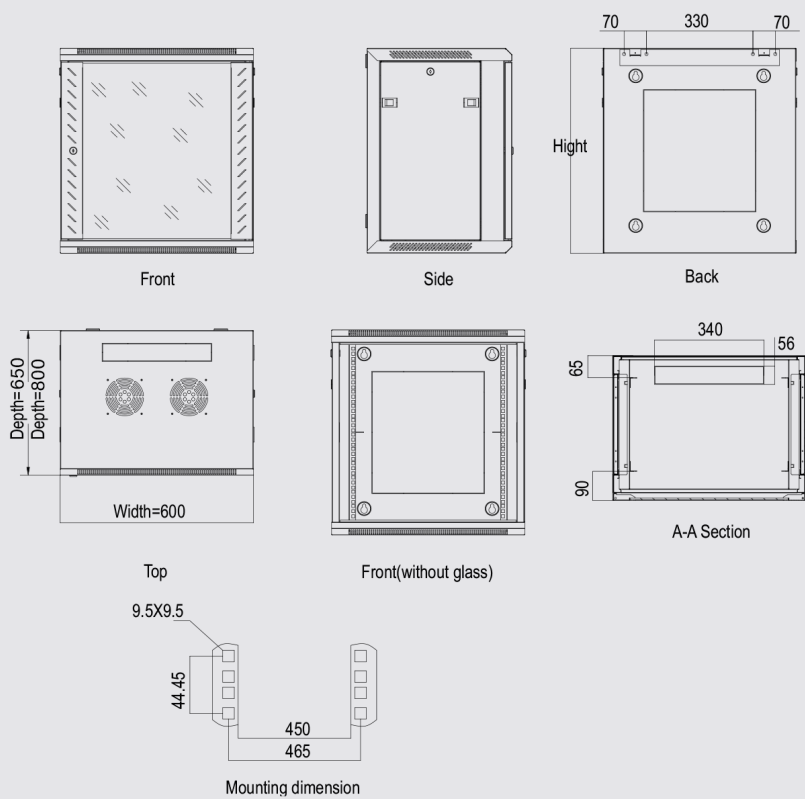
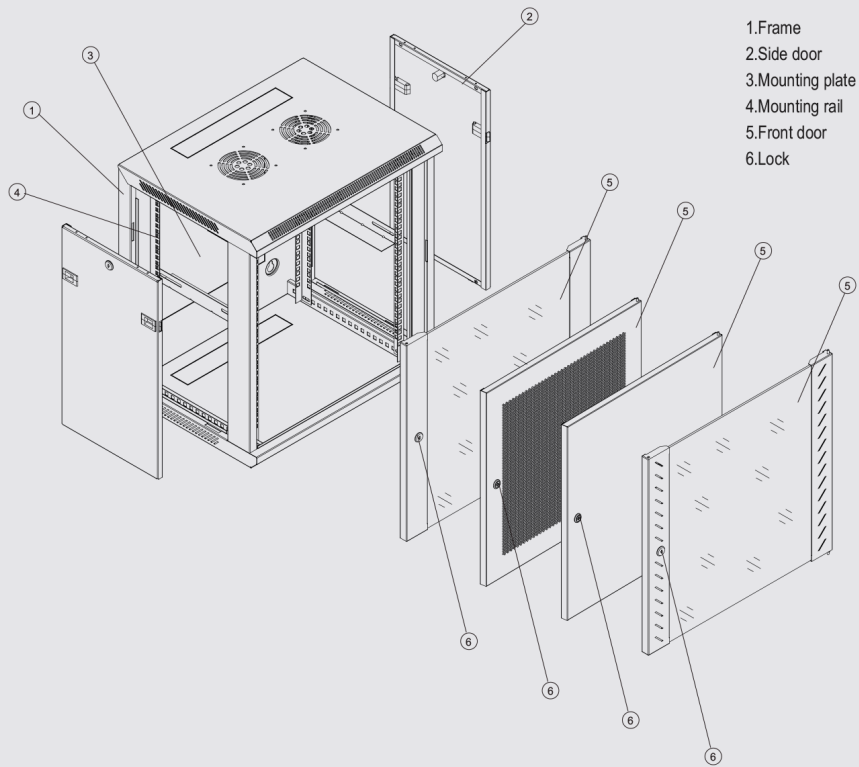
Varenr.: 242450
EANnr.: 5706683025365

Specifikation

Materiale: Pulverlakeret stål
Farve: Sort
Dør: Plade dør
Lås: Eurolock
Belastningskapacitet: 60 kg
Opspænding: 19" for og bag
Electrosteel (ledende)
Størrelse: H1010 x B600 x D800mm
HE: 20HE
Jording: Forbedret for jord
Tilbehørs program: Stor
Leveres usamlet (Flatpack)
Tilvalg: samling af skab (varenr. 240000)

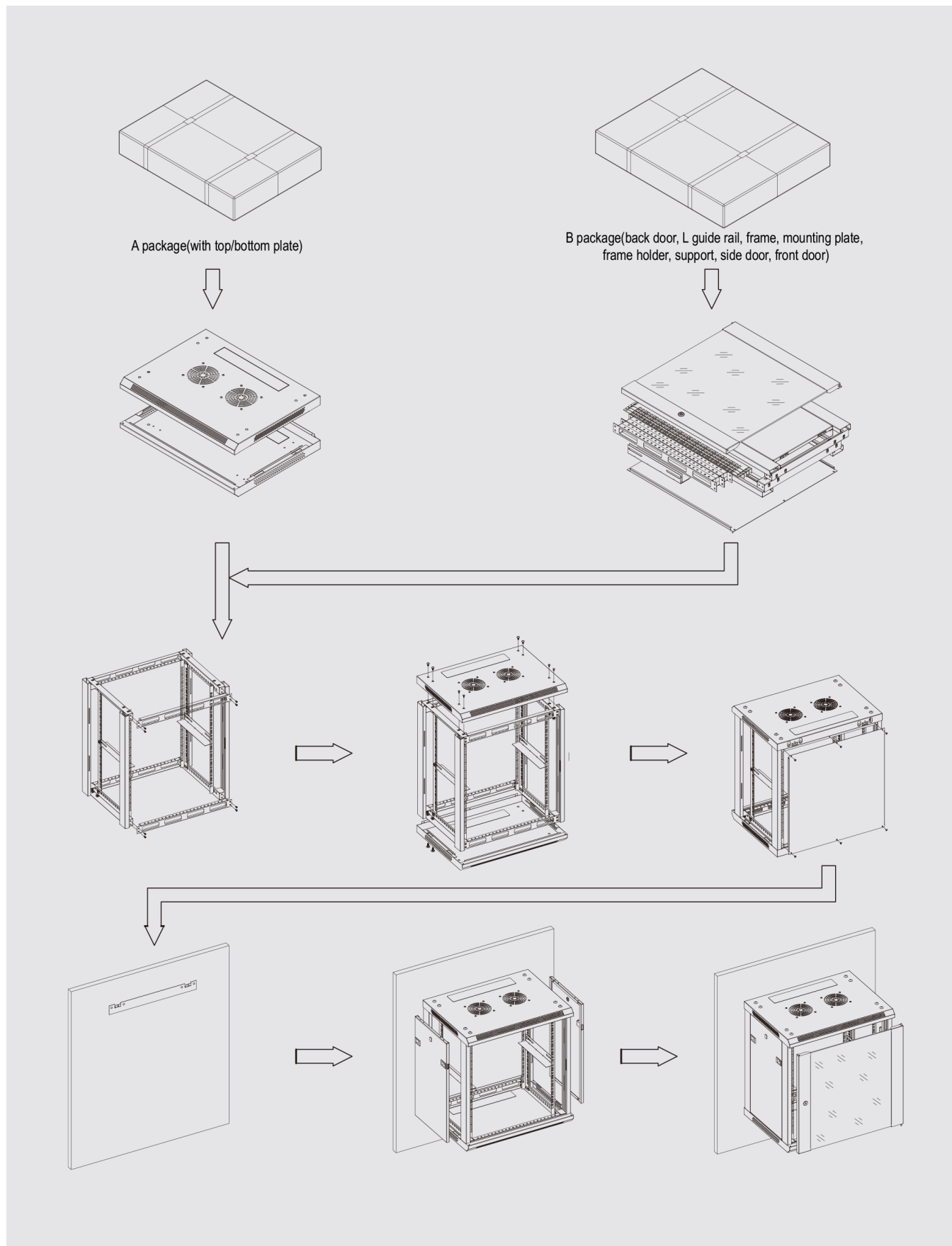
LANRACK

19" vægskab 20HE H1010xB600xD800mm sort PD LRW. ekstra dybde



LANRACK

19" vægskab 20HE H1010xB600xD800mm sort PD LRW. ekstra dybde



LAN-RACK

19" vægskab 20HE H1010xB600xD800mm sort PD LRW. ekstra dybde

Standard

Comply with ANSI/EIA RS-310-D, DIN41491; PART1, IEC297-2, DIN41494; PART7, GB/T3047.2-92 standard. Compatible with metric, ETSI and 19' international standard.

Features

- Exquisite design with precise dimension and craftsmanship.
- International popular smoky-gray glass front door.
- Easily be mounted on wall, or placed on floor after installed castor or feet.
- Loading capacity: 60KG.
- Top and bottom wiring channel could be closed.
- Removable front door and side panel, easily installing and maintaining
- Surface finish: Degreased, acid cleaned, phosphoric, water cleaned, electro-static powder coating, meet ROHS standard.
- Optional color: black/gray
- Optional accessories.

Materials

Cool rolled steel
Thickness: Vertical rail:1.5mm
Else in 1.2mm
Tempered smoky-gray glass with thickness of 5mm.

Application

Widely used in network system, educational system, broadcasting system and telecommunication system. Suitable for placing server computer and precision electronic equipments.