

# LANRACK

19" vægskab 15HE h766xb600xd800mm sort PD LRW. ekstra dybde



## Anvendelse

19" vægskab for data installationer. Gedigt design med 19" opspænding for og bag. Aftagelige/aflåslige sideplader. Gæller for udluftning i top og bund. Mulighed for montage af op til 2 stk. ventilatorer. Aftagelig dør, som kan højre og venstre vendes. Specielt velegnet til ekstra dybe switche.

Varenr.: 242440

EANnr.: 5706683022616

## Specifikation

Materiale: Pulverlakeret stål

Farve: Sort

Dør: Pladedør

Lås: Eurolock

Mulighed for tilvalg af Ruko

Ophæng: Vægbeslag medfølger

Belastningskapacitet: 60kg

Opspænding: 19" for og bag

Electrosteel (ledende)

Størrelse: H766xB600xD800mm

HE: 15HE

Jording: Forbedret for jord

Tilbehørs program: Stort

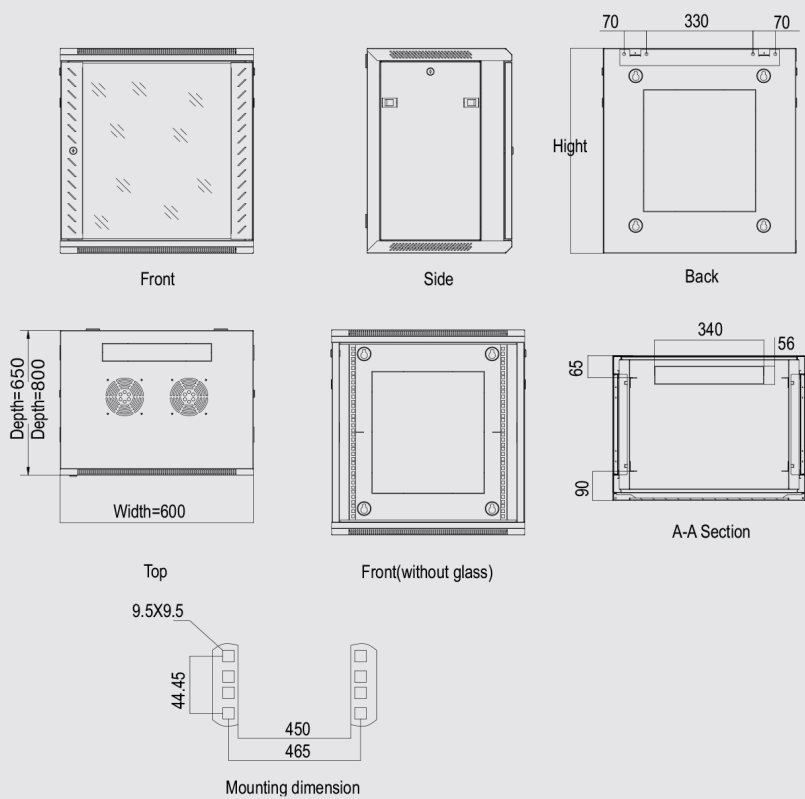
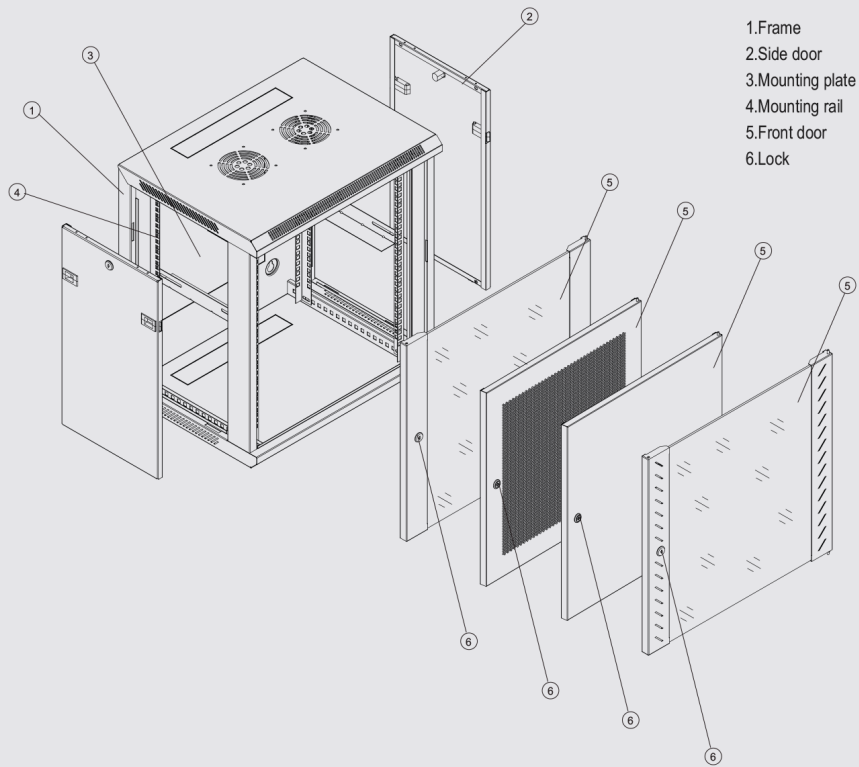
Leveres usamlet (flatpack)

Tilvalg: Samling af skab

(varenr.: 240000)

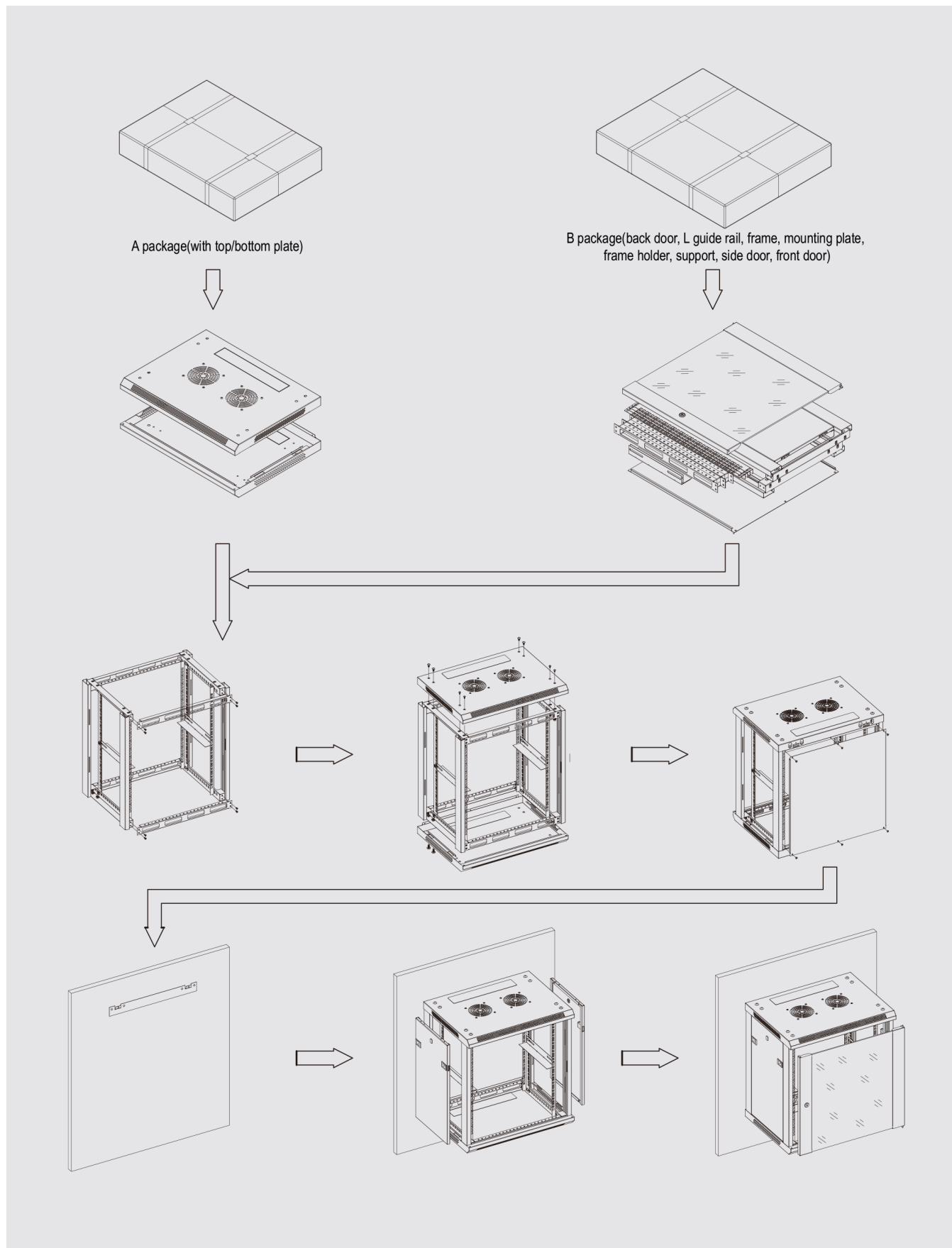
# LANRACK

19" vægskab 15HE h766xb600xd800mm sort PD LRW. ekstra dybde



# LANRACK

19" vægskab 15HE h766xb600xd800mm sort PD LRW. ekstra dybde



# LAN-RACK

19" vægskab 15HE h766xb600xd800mm sort PD LRW. ekstra dybde

## Standard

Comply with ANSI/EIA RS-310-D, DIN41491; PART1, IEC297-2, DIN41494; PART7, GB/T3047.2-92 standard. Compatible with metric, ETSI and 19' international standard.

## Features

- Exquisite design with precise dimension and craftsmanship.
- International popular smoky-gray glass front door.
- Easily be mounted on wall, or placed on floor after installed castor or feet.
- Loading capacity: 60KG.
- Top and bottom wiring channel could be closed.
- Removable front door and side panel, easily installing and maintaining
- Surface finish: Degreased, acid cleaned, phosphoric, water cleaned, electro-static powder coating, meet ROHS standard.
- Optional color: black/gray
- Optional accessories.

## Materials

Cool rolled steel  
Thickness: Vertical rail:1.5mm  
Else in 1.2mm  
Tempered smoky-gray glass with thickness of 5mm.

## Application

Widely used in network system, educational system, broadcasting system and telecommunication system. Suitable for placing server computer and precision electronic equipments.