

LANOPTIC

ODF 19" 3 HE for 9 LGX modul LGX serie



Anvendelse

Afslutter og beskytter fiberinstallationen Mulighed for op til 9 stk. LGX moduler Røgfarvet glas, skjuler og beskytter patchkabler Mulighed for op til 144 splidsninger.

Specifikation

Opspænding: 19"
Materiale: Pulverlakeret stål
Farve: Sort
Højde: 3 HE
Forplade: 9 x LGX moduler
Udtrækbar bundplade ved splidsning og service
Kabelindgang: 2 stk. gummiforet
Kabeludgang: 2 stk.
Splidsekassette: Valgfrit

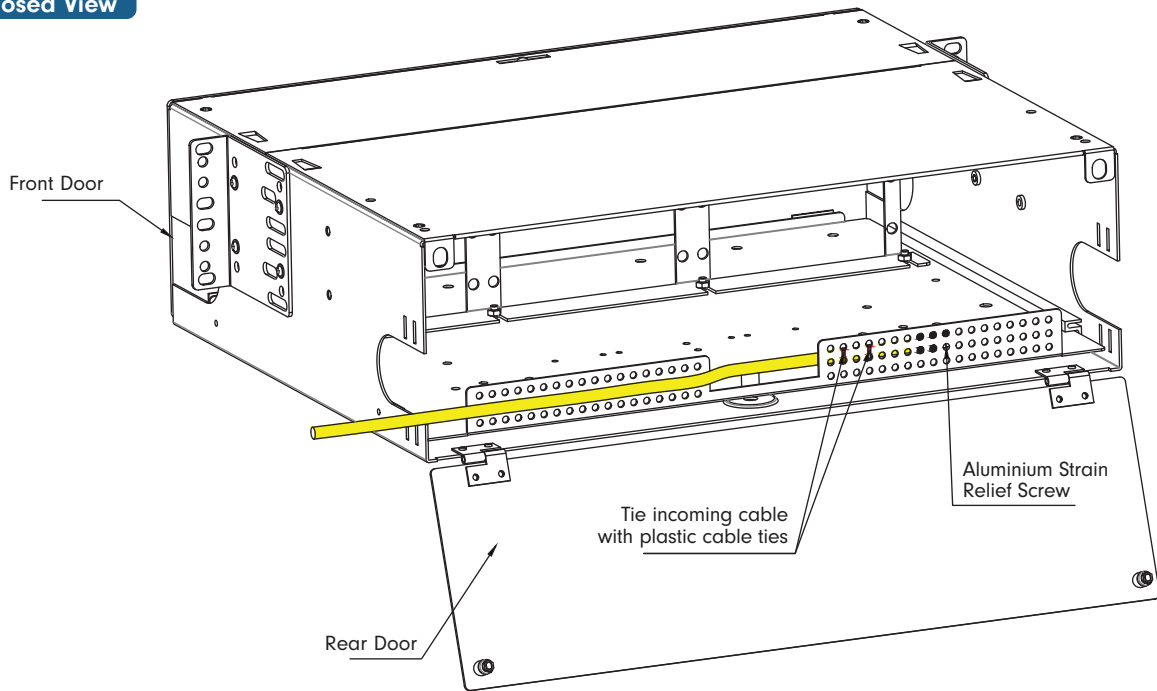
Vare-nr.: 231675

EANnr.: 5706683020384

ODF 19" 3 HE for 9 LGX modul LGX serie

3U MODULAR PATCH PANEL CHASSIS	
Height	3U (133.4mm)
Width	432mm
Depth	356mm
Net- weight	8.0kg
Packaged weight	8.5kg
Packaged dimensions	510mm (w) x 450mm (L) x 210mm (H)
Suitable for Adaptor type	LGX / MTP Cassettes
Number of Module Positions	9
IP Rating	IP20
Material	Cold- rolled steel
Material thickness	1.2mm
Material Finish	Powder coating
Colour	RAL 9004
Operation temperature	-40°C to +60°C
Designed in accordance with	TIA/EIA 568.C, ISO/IEC 11801, EN50173, IEC60304, IEC61754
Compliant to	RoHS, Reach/SVHC

Tray Closed View



When cable coming from right side of the panel (front view from front door side), tie the incoming cable with plastic cable ties, and aluminium strain relief screw on left side of tray rear plate shown as above picture. Ensure the incoming cable is placed outside of the incoming rear plate.

Tray Slide Out View

