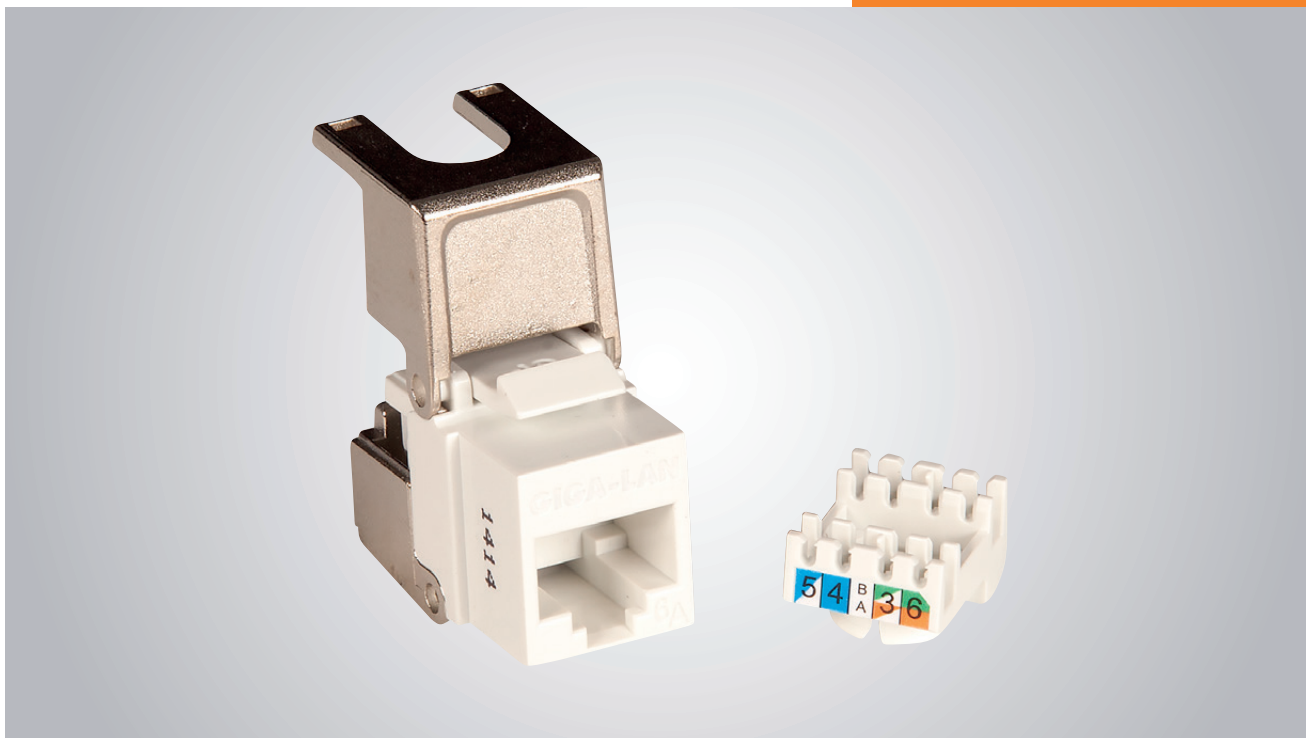


## RJ45 Keystone Jack Kategori 6A bulk



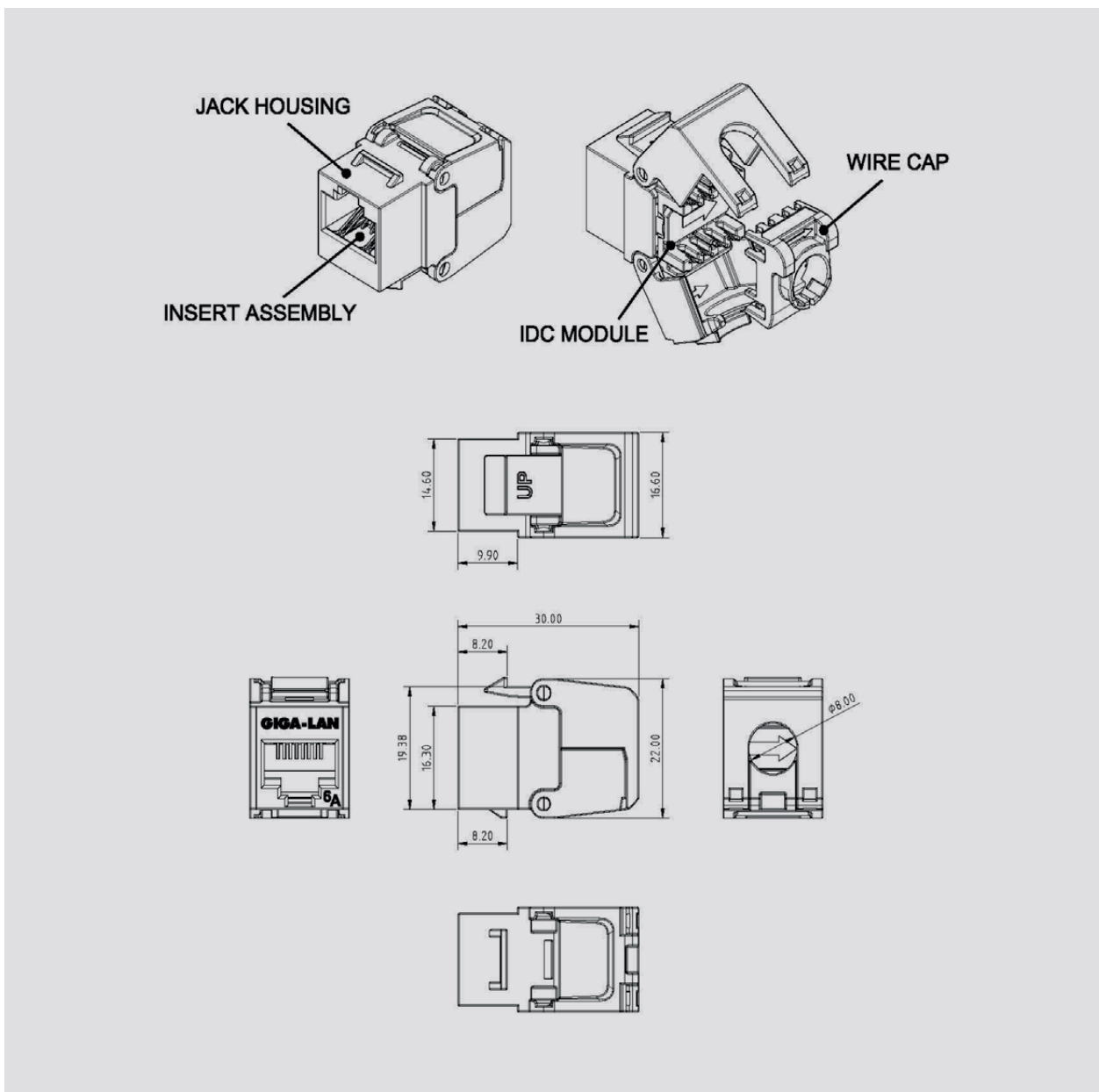
### Anvendelse

GIGA-LAN Kategori 6A UTP Flip Jack monteres i Patch Panel samt udtag i GIGA-LAN data installationer. Smart lille design sørger for hurtig terminering uden brug af speciel værktøj. Mindste Keystone design sørger for ekstra plads i udtag.

### Specifikation

**Kategori:** 6 a UTP  
**Frekvens:** 500 Mhz  
**Protokol:** 10 Gbps Ethernet  
**POE++** 100 Wat  
**Type:** Keystone  
**Farve hus:** "Sølv"  
**Farve front:** Hvid  
**Component Compliant**  
**Godkendelse:** Third part test lab  
**Fabrikat:** GIGA-LAN PRO  
**Pakning:** 150 stk

## RJ45 Keystone Jack Kategori 6A bulk



## RJ45 Keystone Jack Kategori 6A bulk

### Transmission performance

Meet all requirements specified in connecting hardware requirement of TIA-568-C.2 / ISO11801 Cot.6A

### Mechanical

Insertion / Extraction Life 750 Cycles Minimum IDC Wire Gauge : 22 ~ 24 AWG

### Electrical

Electrical Insulation Resistance 500 MO min. @ 100V d.c  
i Dielectric Withstanding Voltage 1 000V d.c. or a.c. Peak Contact to Contact @ 60Hz for 1 minute.

### Physical

Housing High-Impact, Flame-Retardant Plastic, UL 94V-0  
Spring Wire Phosphor Bronze Alloy Plated With 50 micro-inch of Gold  
IDC : Phosphor Bronze Alloy With 100 micro-inch 100% Sn Alloy

Item	Part name	Q'TY
4	Wire cap	1
3	Idc module	1
2	Insert assembly	1
1	Jack housing	1