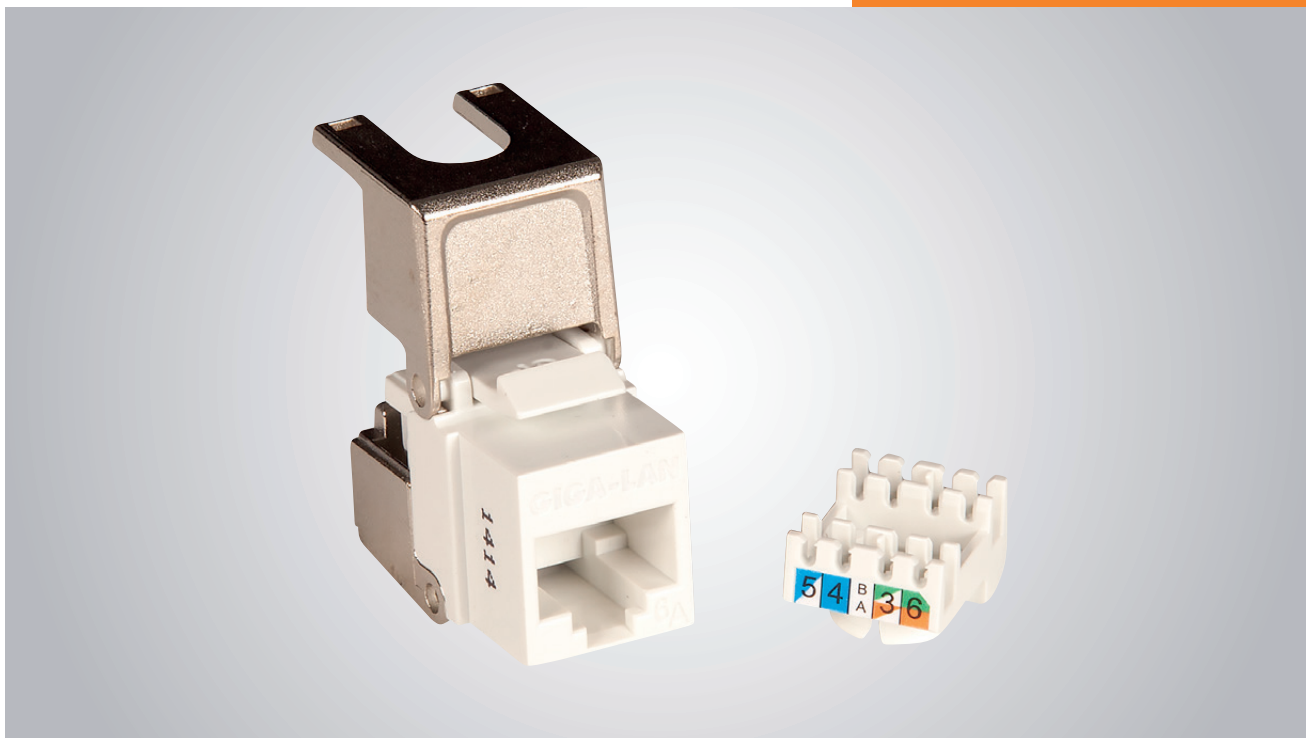


RJ45 Keystone Jack Kategori 6A



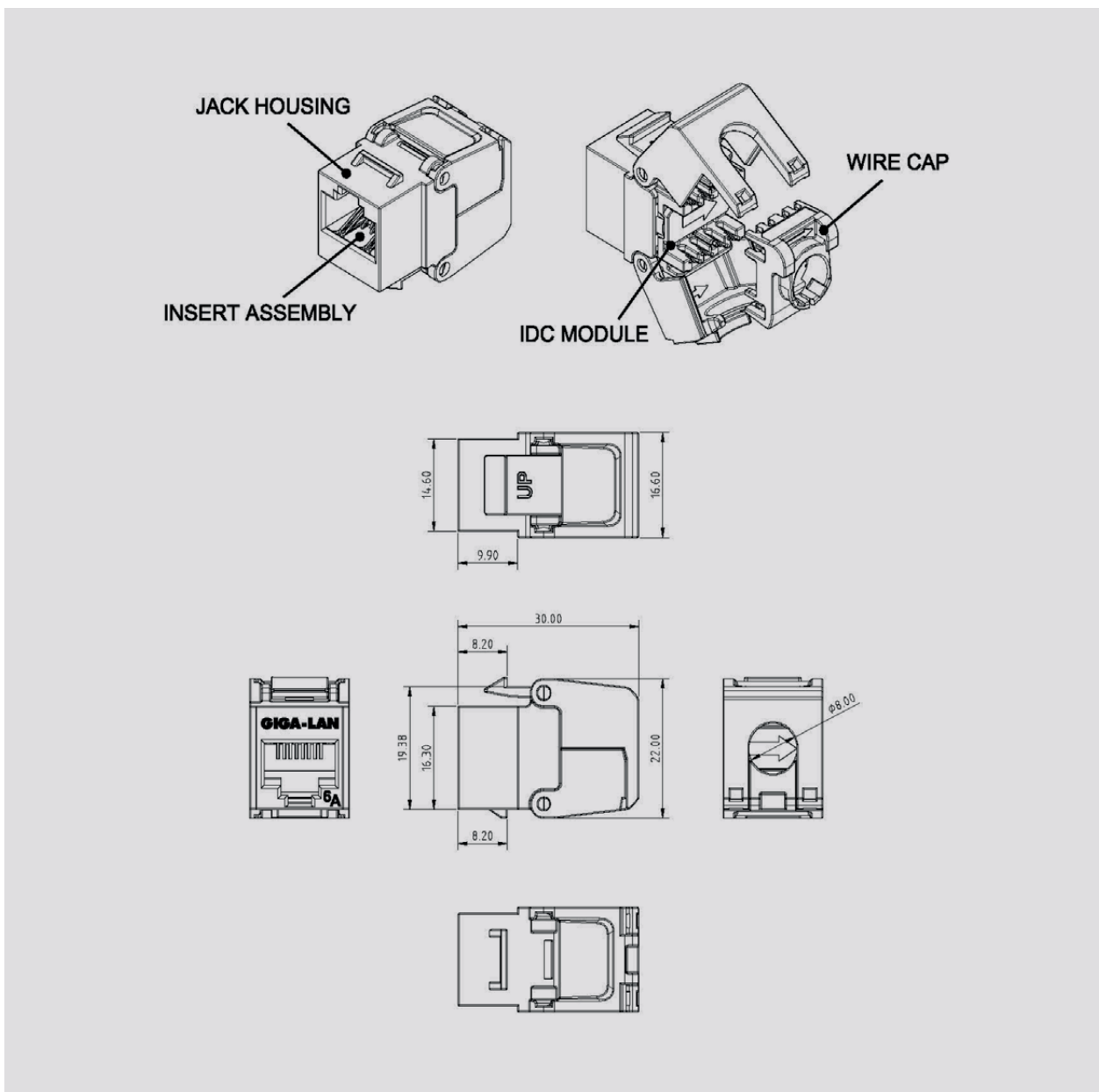
Anvendelse

GIGA-LAN Kategori 6A UTP Flip Jack monteres i Patch Panel samt udtag i GIGA-LAN data installationer. Smart lille design sørger for hurtig terminering uden brug af speciel værktøj. Mindste Keystone design sørger for ekstra plads i udtag.

Specifikation

Kategori: 6 a UTP
Frekvens: 500 Mhz
Protokol: 10 Gbps Ethernet
POE++ 100 Wat
Type: Keystone
Farve hus: "Sølv"
Farve front: Hvid
Component Compliant
Godkendelse: Third part test lab
Fabrikat: GIGA-LAN PRO
Pakning: 1 stk

RJ45 Keystone Jack Kategori 6A



RJ45 Keystone Jack Kategori 6A

Transmission performance

Meet all requirements specified in connecting hardware requirement of TIA-568-C.2 / ISO11801 Cot.6A

Mechanical

Insertion / Extraction Life 750 Cycles Minimum IDC Wire Gauge : 22 ~ 24 AWG

Electrical

Electrical Insulation Resistance 500 MO min. @ 100V d.c
i Dielectric Withstanding Voltage 1 000V d.c. or a.c. Peak Contact to Contact @ 60Hz for 1 minute.

Physical

Housing High-Impact, Flame-Retardant Plastic, UL 94V-0
Spring Wire Phosphor Bronze Alloy Plated With 50 micro-inch of Gold
IDC : Phosphor Bronze Alloy With 100 micro-inch 100% Sn Alloy

Item	Part name	Q'TY
4	Wire cap	1
3	Idc module	1
2	Insert assembly	1
1	Jack housing	1