

UTP RJ45 Keystone Jack Kategori 5e



Anvendelse

GIGA-LAN Kategori 5e RJ45 UTP Flip Jack monteres i Patch Panel samt udtag i GIGA-LAN Kategori 5e UTP data installationer Smart lille desing sørger for hurtig terminering uden special værktøj. Mindste keystone design sørger for ekstra plads i udtag.

Specifikation

Kategori: 5e UTP

Frekvens: 100 Mhz

Protokol: 1 Gbps Ethernet

POE+ 30 Wat

Type: Keystone

Farve hus: Sort

Farve front: Hvid

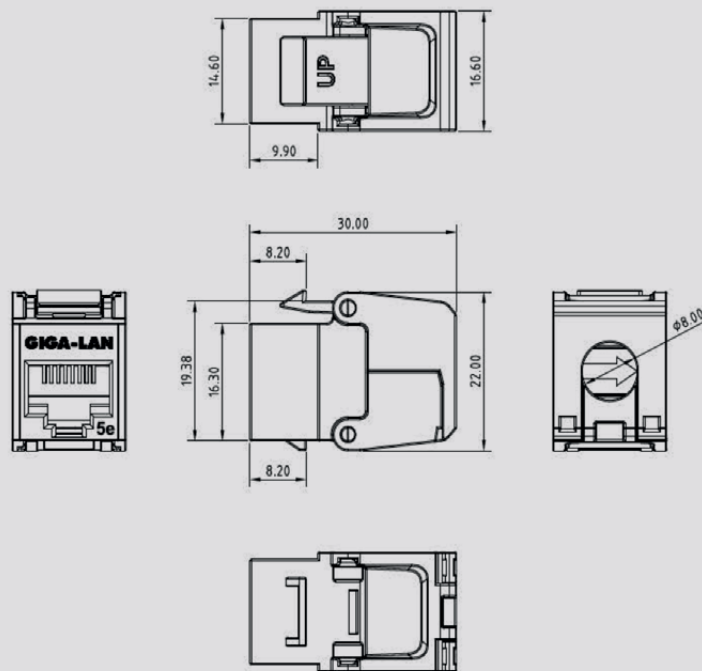
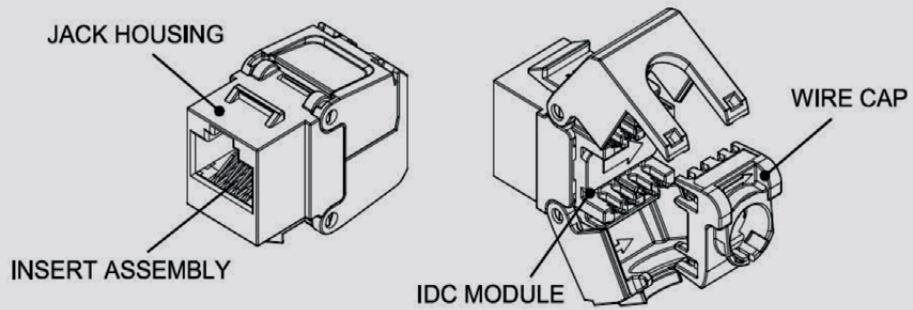
Component Compliant

Godkendelse: Third part test lab

Fabrikat: GIGA-LAN STANDARD

Pakning: 1 stk

UTP RJ45 Keystone Jack Kategori 5e



UTP RJ45 Keystone Jack Kategori 5e

Transmission performance

Meet all requirements specified in connecting hardware requirement of

TIA/EIA-568-C.2 / ISO1 1801 Cat.5e

Mechanical

Insertion / Extraction Life : 750 Cycles Minimum IDC

Wire Gauge : 22 - 24 AWG

Electrical

Electrical Insulation Resistance : 500 MO min. @ 100V d.c

Dielectric Withstanding Voltage : 1 000V d.c. or o.c. Peak Contact to Contact @ 60Hz for 1 minute.

Physical

Housing : High-Impact, Flame-Retardant Plastic, UL 94V-0

Spring Wire : Phosphor Bronze Alloy Plated With 50 micro-inch of Gold

IDC : Phosphor Bronze Alloy With 100 micro-inch 100% Sn Alloy

Item	Part name	Q'TY
4	Wire cap	1
3	Idc module	1
2	Insert assembly	1
1	Jack housing	1